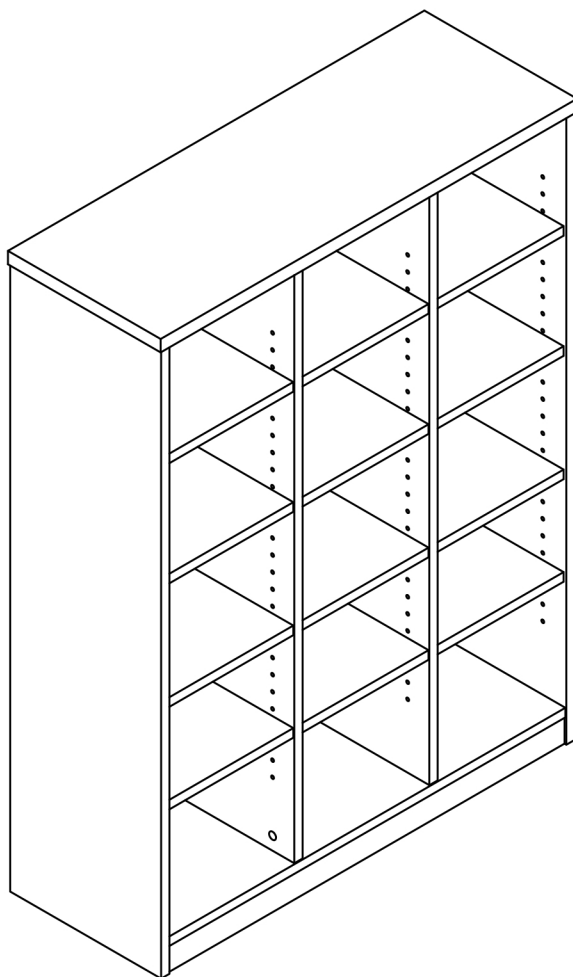





READY2GO


ASSEMBLY INSTRUCTIONS
R20-PH12

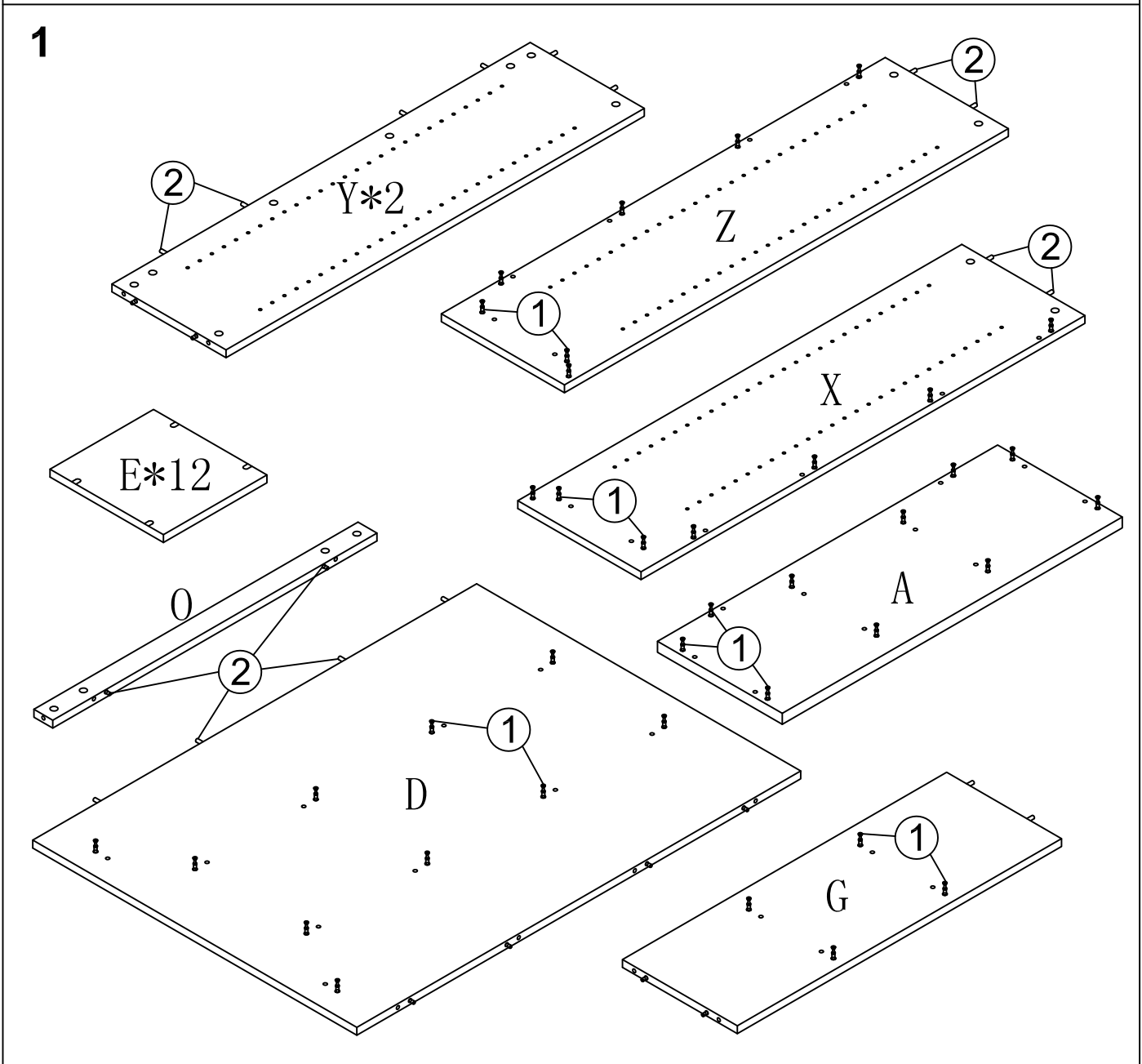
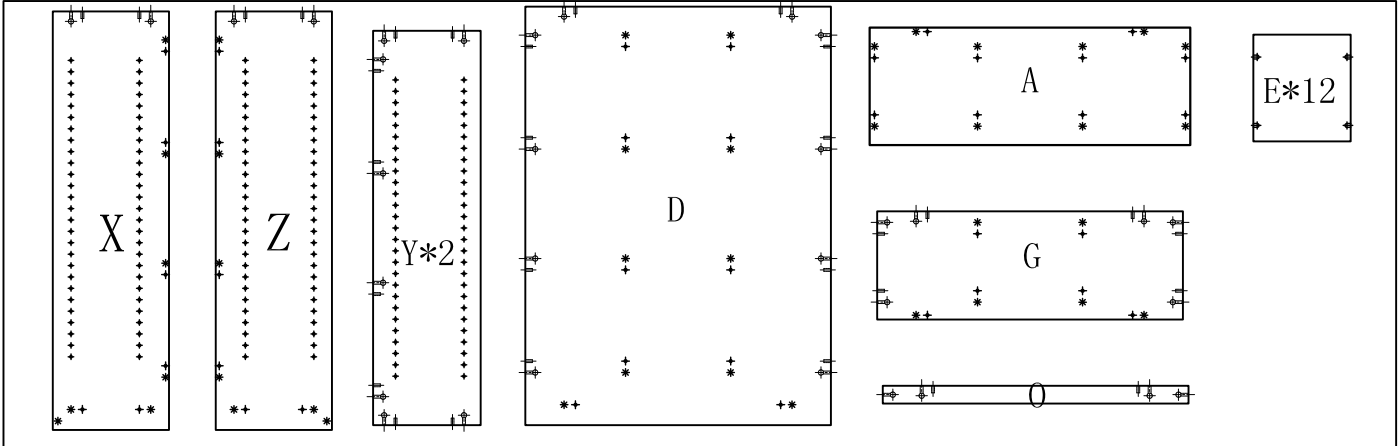


pin 6x35

 ①
 40 PCS

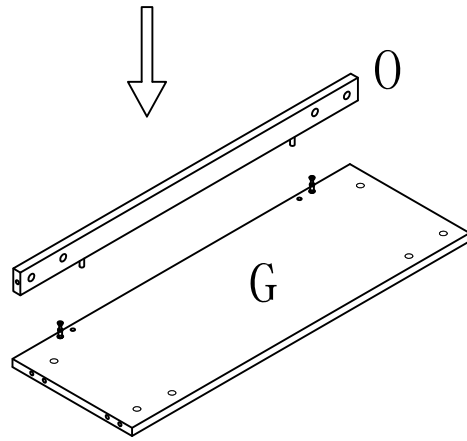
Dowel 8x30

 ②
 38 PCS

Bolt Minifix

 ③
 48 PCS

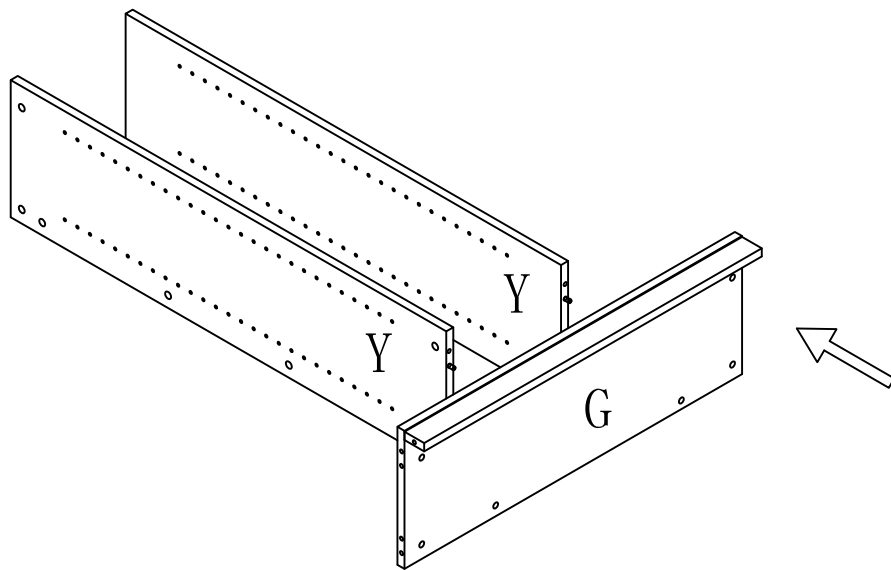
Cam Cover

 ④
 40 PCS



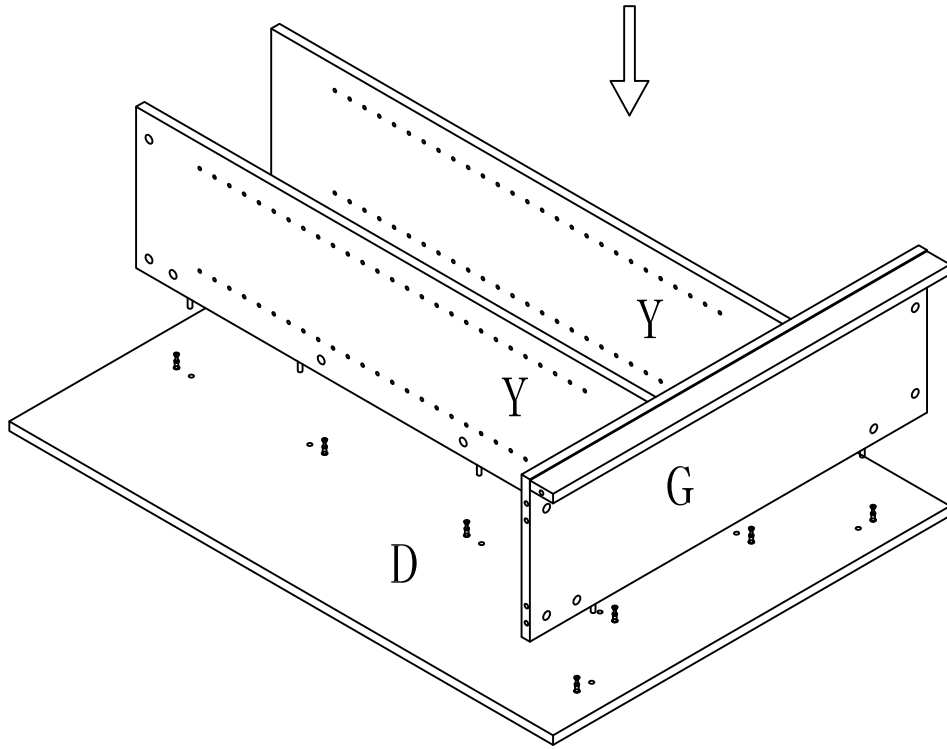
2



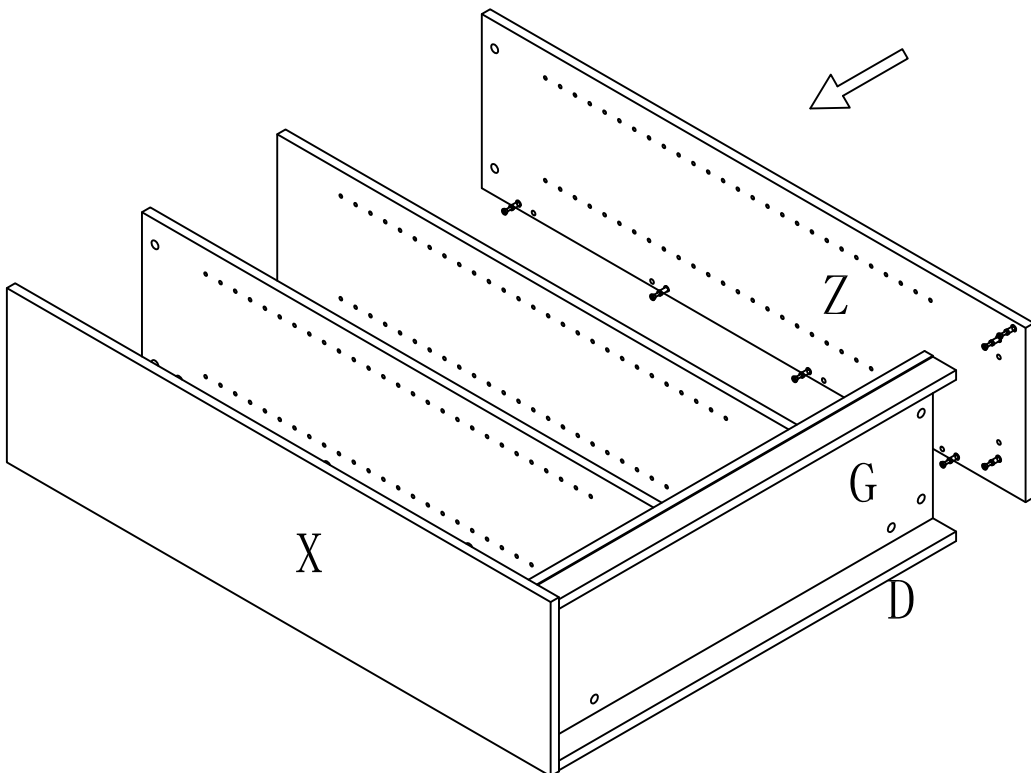
3



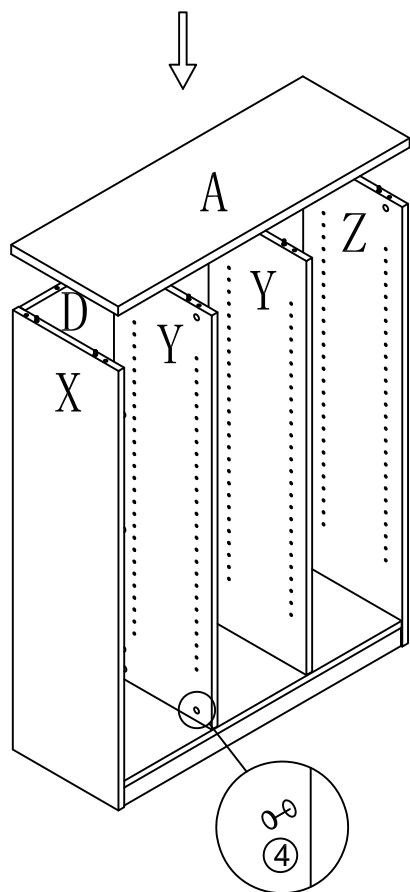
4



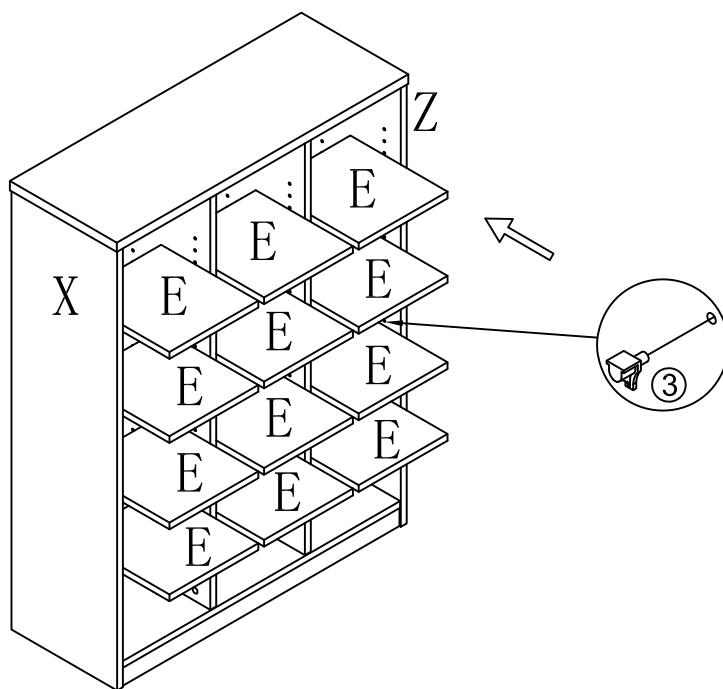
5



6

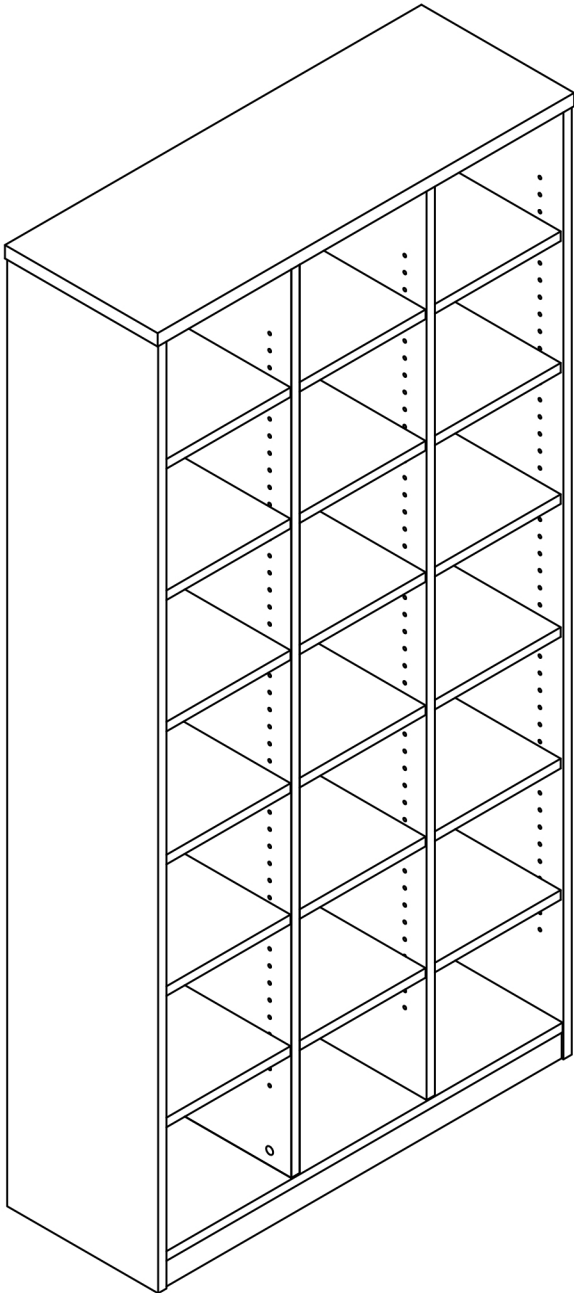


7



READY2GO

**ASSEMBLY INSTRUCTIONS
R20-PH18**

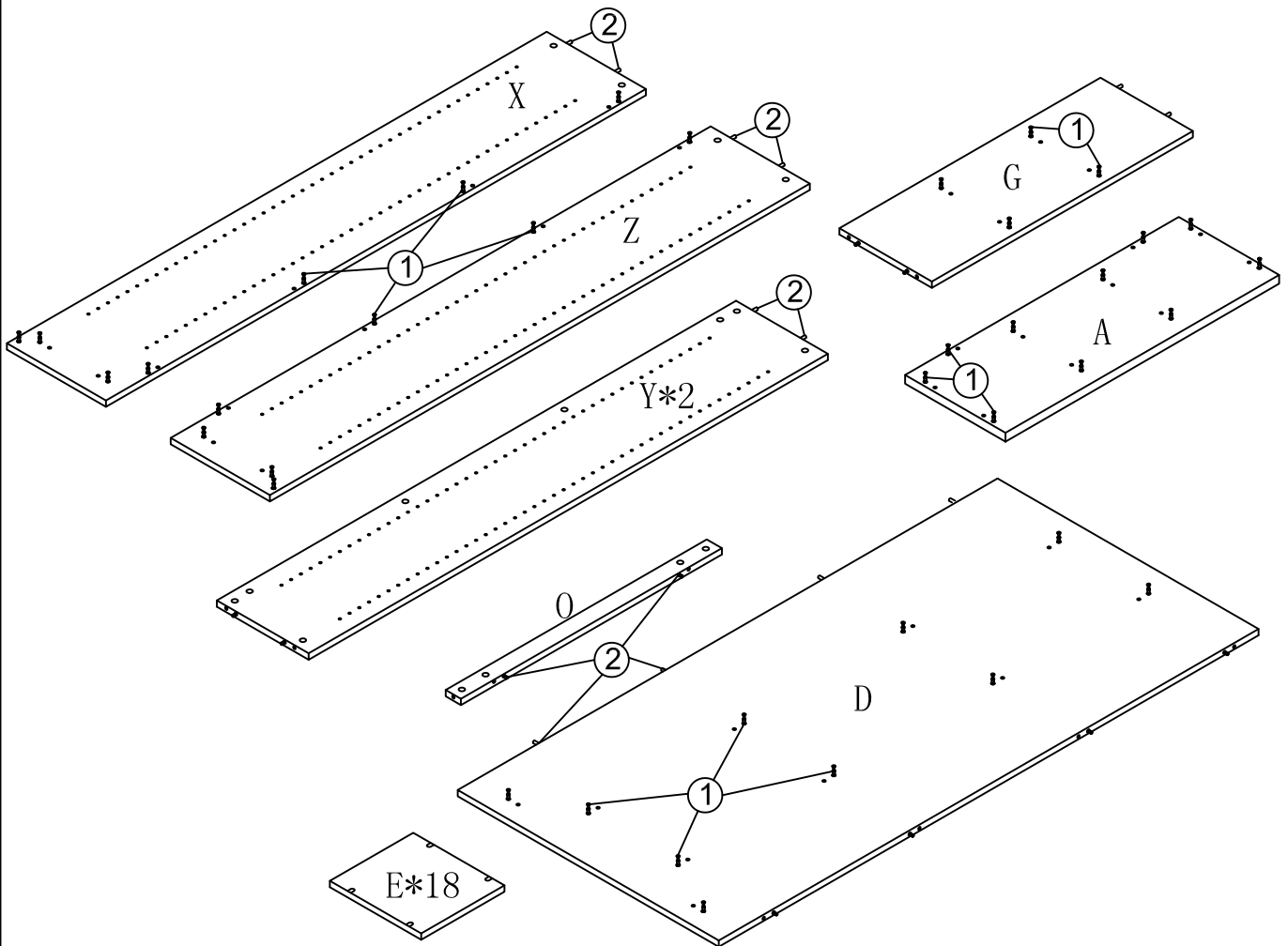
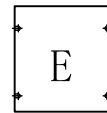
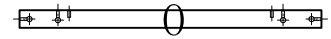
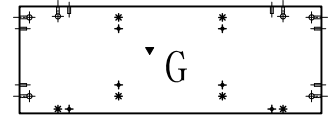
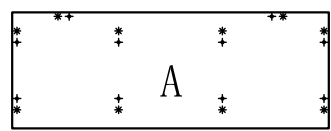
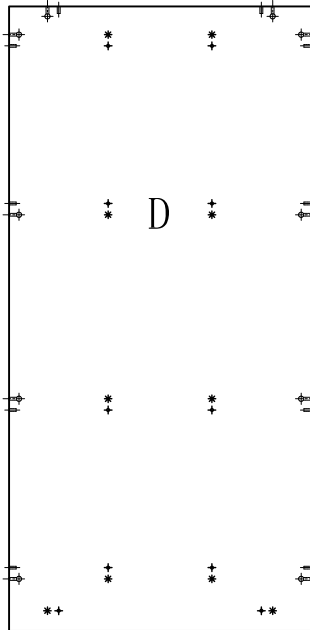
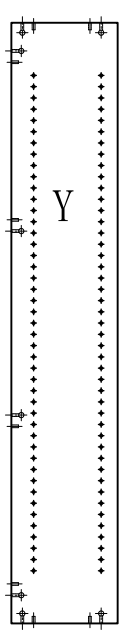
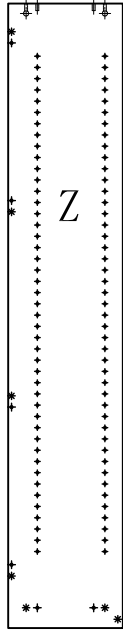
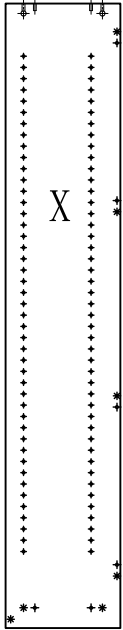


pin 6x35 ①
40 PCS

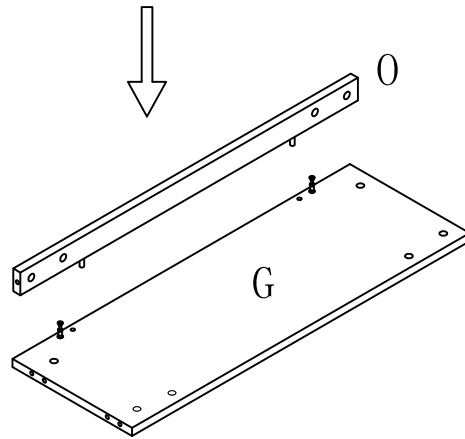
Dowel 8x30 ②
38 PCS

Bolt Minifix ③
72 PCS

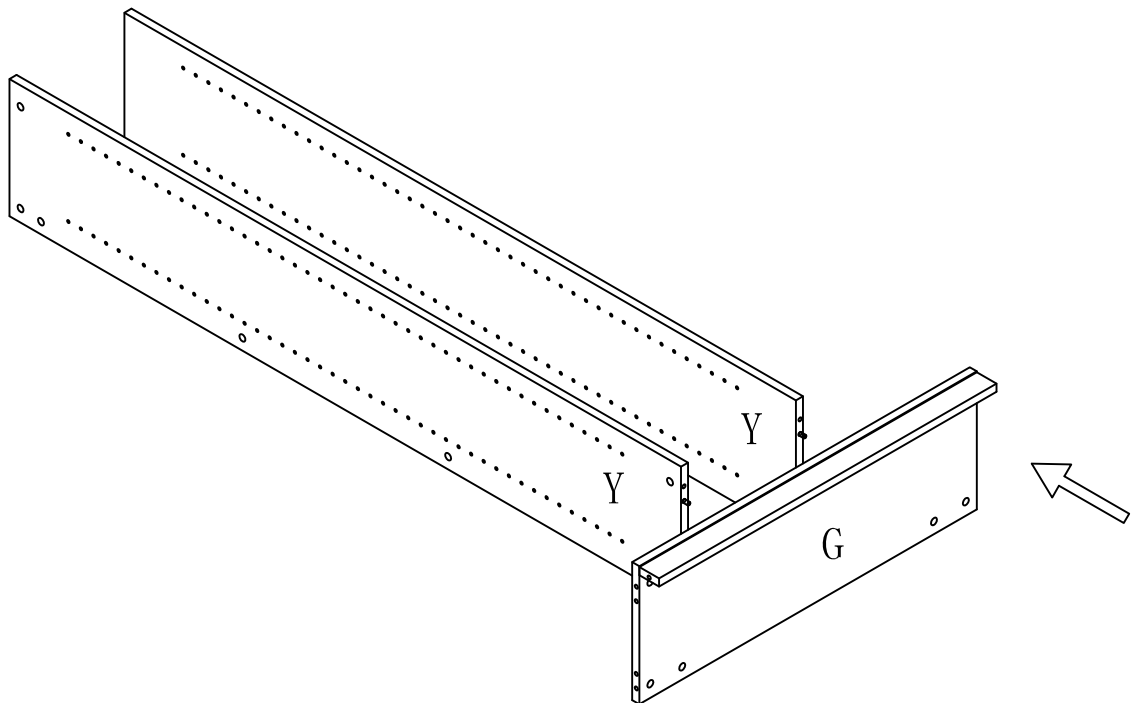
Cam Cover ④
40 PCS



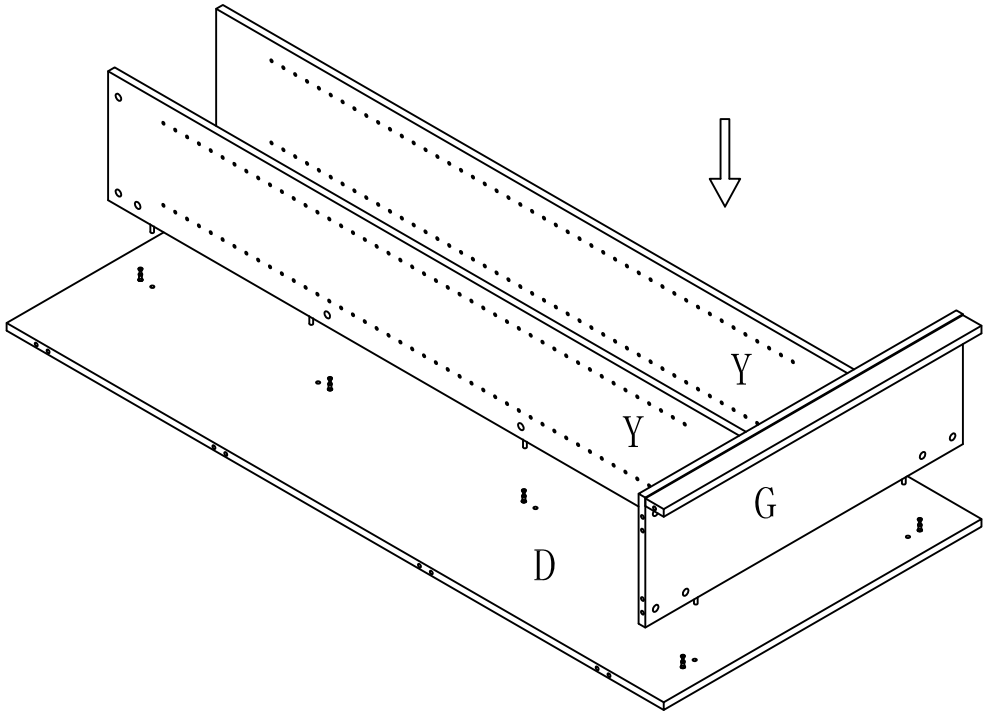
2



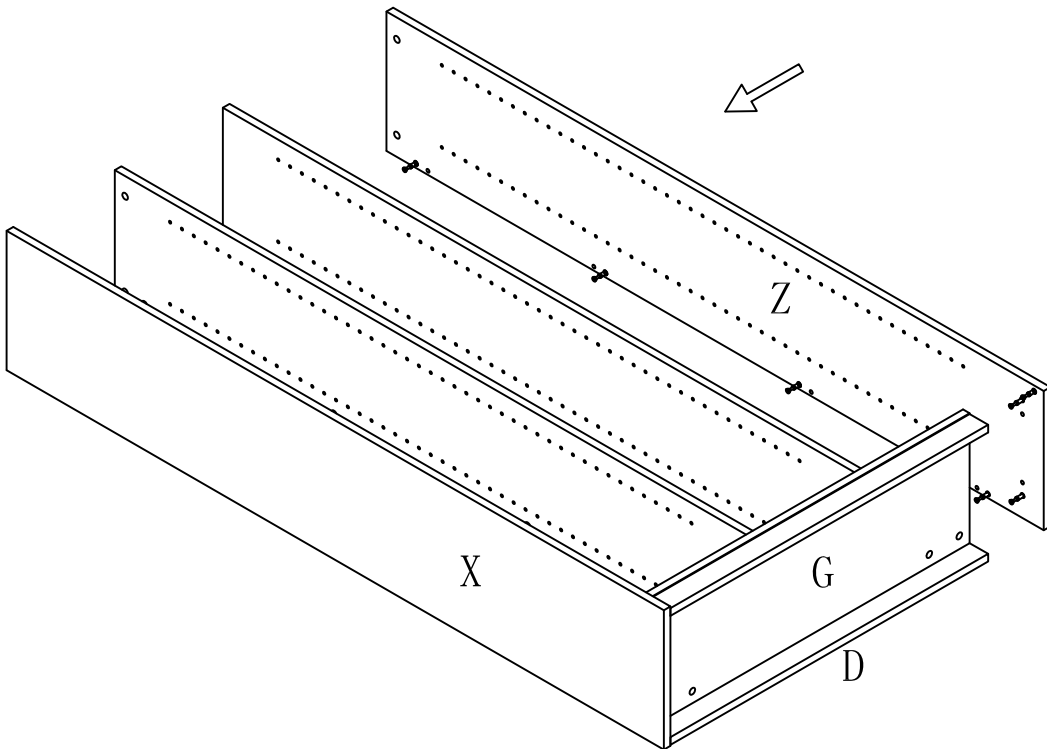
3



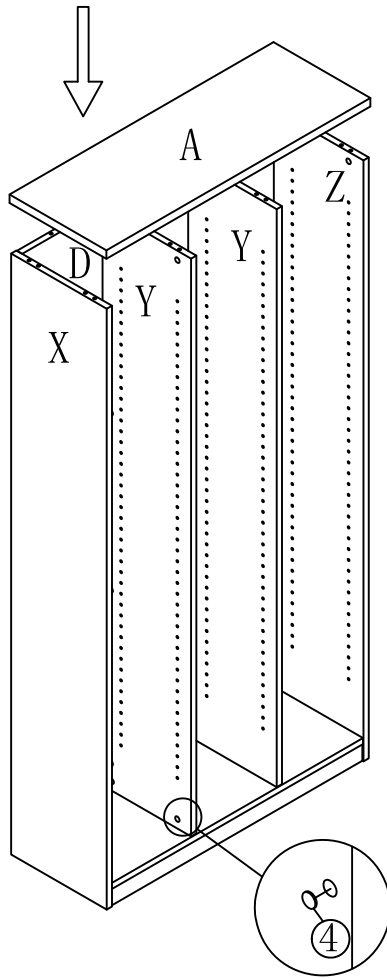
4



5



6



7

