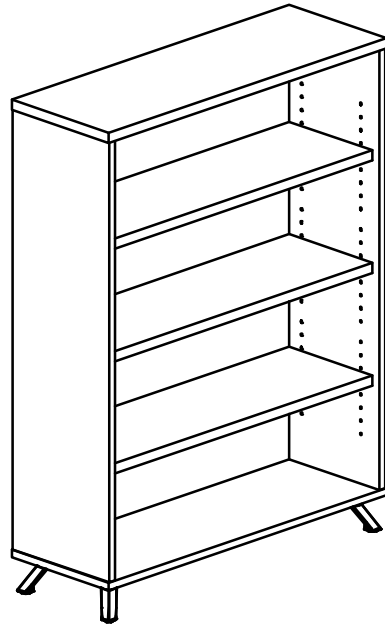


Assembly Instructions

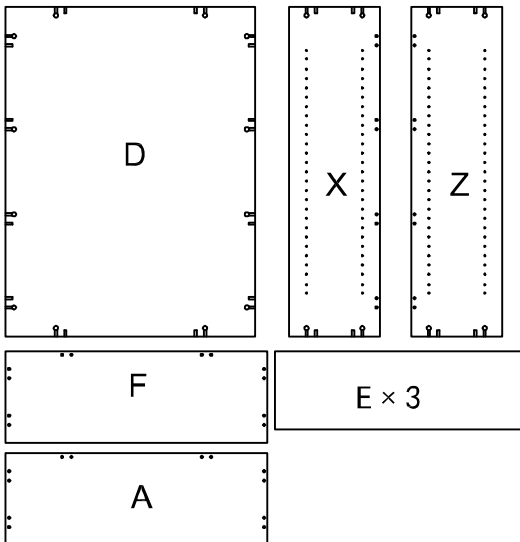
MODEL NO:IFBK12



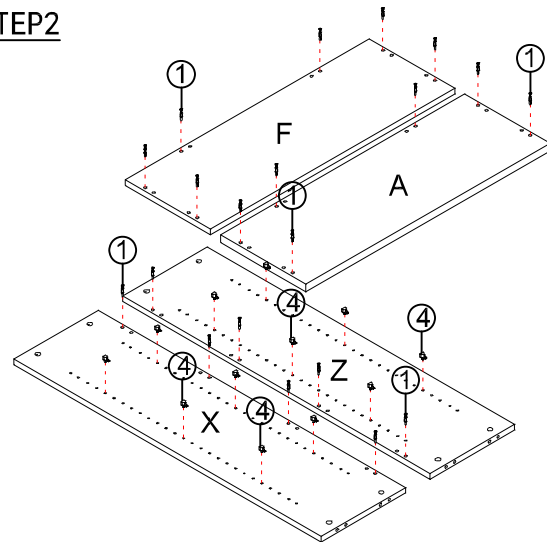
Pin 6x35 20PCS 1	Shelf Pin 16PCS 4
Cam 20PCS 2	Metal Feet 85H 4PCS 5
Cam Cover 20PCS 3	Wood Screw 4x16 16PCS 6

A

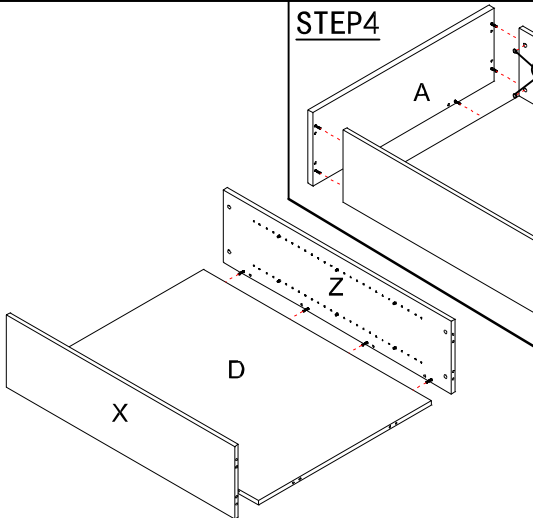
STEP1



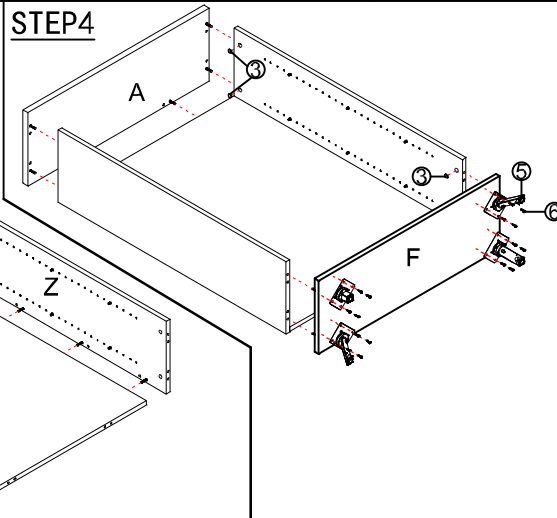
STEP2



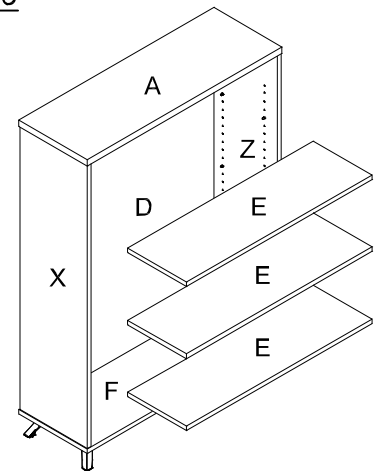
STEP3



STEP4



STEP5



IMPORTANT NOTE:

- Place all laminated parts on a clean and smooth surface such as a rug or carpet to avoid the parts from being scratched.
- Check to be sure that you have all parts and hardware.
- Remove all wrapping materials, including staples & packing straps before you start to assemble.
- Don't tighten all screws/bolts until all completely assembled.
- Keep all hardware parts out of reach of children

