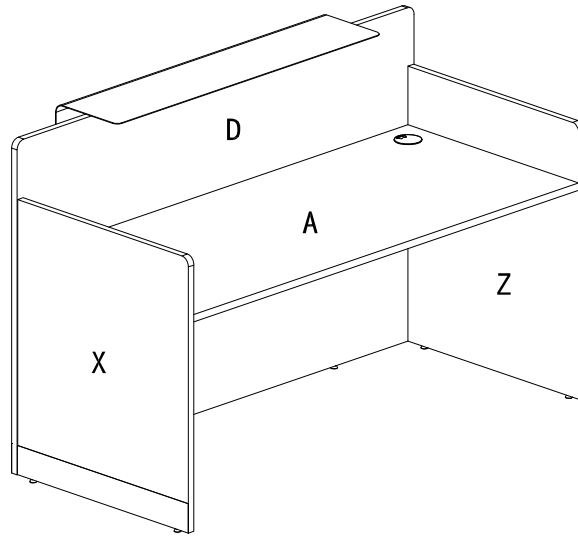


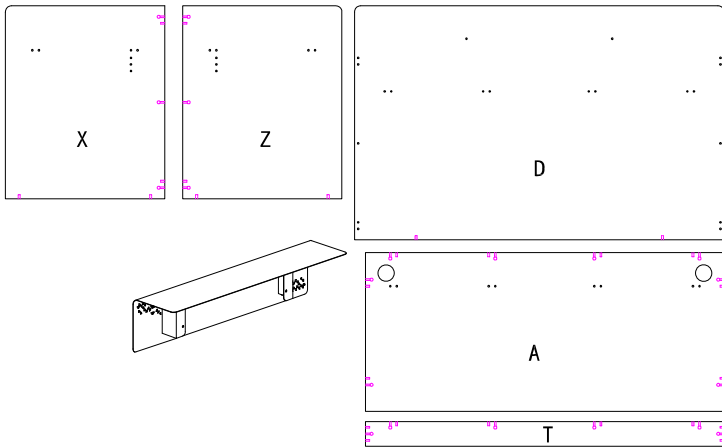
Assembly Instructions

MODEL NO: RC1809

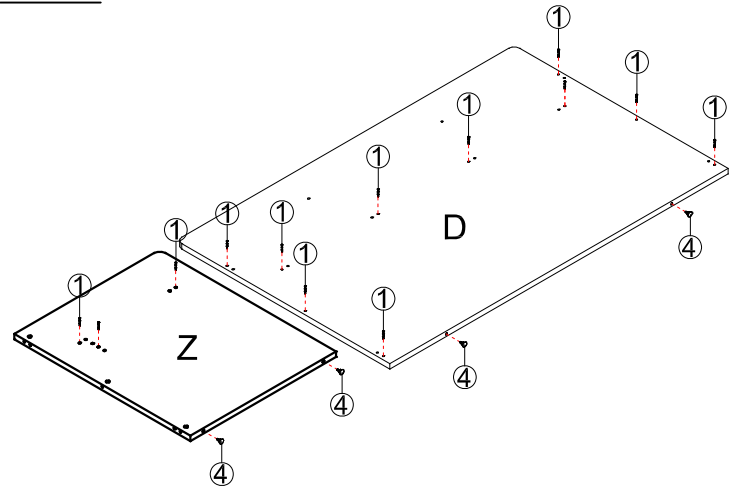


| | | | |
|-----------|-----------|---|-------|
| pin | 6×35 | 1 | 20PCS |
| CAM | | 2 | 20PCS |
| Cam Cover | | 3 | 20PCS |
| ADJ.FEET | ∅24 × 12H | 4 | 6PCS |
| The wheel | 6×35 | 5 | 2PCS |

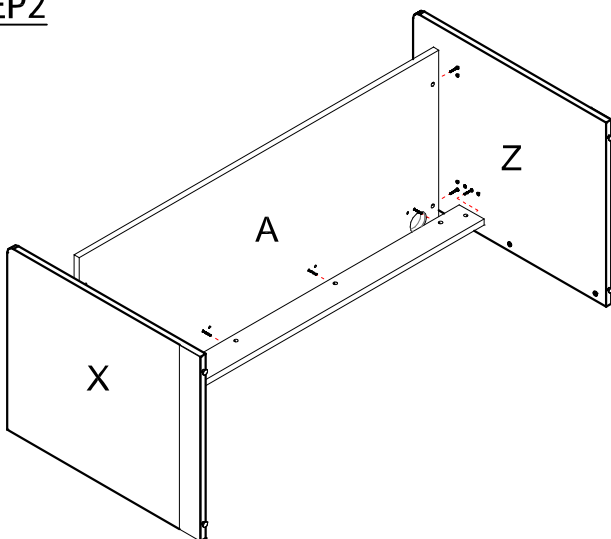
A



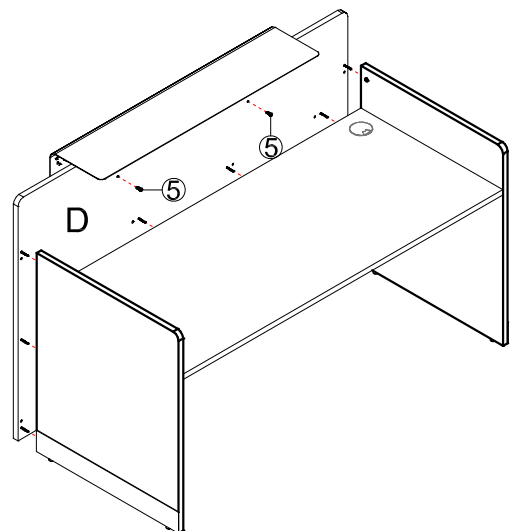
STEP1



STEP2



STEP3



IMPORTANT NOTE:

- Place all laminated parts on a clean and smooth surface such as a rug or carpet to avoid the parts from being scratched.
- Check to be sure that you have all parts and hardware.
- Remove all wrapping materials, including staples & packing straps before you start to assemble.
- Don't tighten all screws/bolts until all completely assembled.
- Keep all hardware parts out of reach of children

